

KIMAX



Electric Actuator of E-MAX series

- > Non-intrusive setting - local/remote control available.
- > Double sealing.
- > Pluggable terminal design.
- > Auto Self Test and Diagnosis (ASTD)
- > Equipped with thermal protection and phase discrimination.
- > Support 4-20 mA input/output signal.
- > Smart setting.
- > Clutchless handwheel.
- > Flexible bottom bush.



KIMAX CONTROLS INC.

> **Kimax Taiwan** : 5F-10, No.3, Lane 2, First Industrial Rd., Taichung, Taiwan 40767
Tel: +886-4-23507533 Fax: +886-4-23507531
E-mail: eric-shia@kimax.com.tw

> **Kimax China** : No 24, Southern Dahuangqiao Road, Yuyao City, Zhejiang Province, China 315400
Tel: +86-574-62536254 Fax: +86-574-62534166

> **Kimax India** : 178/92, Habbibullah Road, T.Nagar, Chennai 600017
Tel: +91 9940632033
E-mail: sales@kimax.in thirumalai-i@kimax.in



Part-Turn Electric Actuator

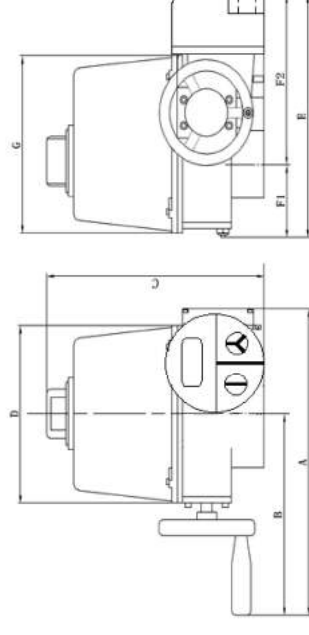


Dimension Data



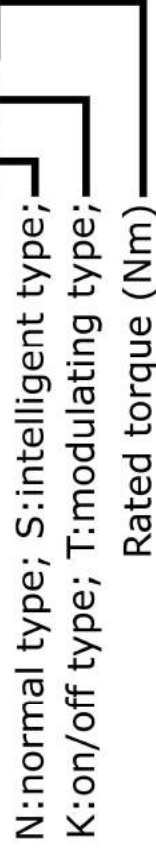
*Unit: mm:

Model	A	B	C	D	E	F1	F2	G
EM-SK10/ST10	335	215	265	190	300	70	235	190
EM-SK20/ST20	335	215	265	190	300	70	235	190
EM-SK30/ST30	395	275	340	230	340	100	245	230
EM-SK40/ST40	395	275	340	230	340	100	245	230
EM-SK50/ST50	395	275	340	230	340	100	245	230
EM-SK60/ST60	395	275	340	230	340	100	245	230



Model Number Indication

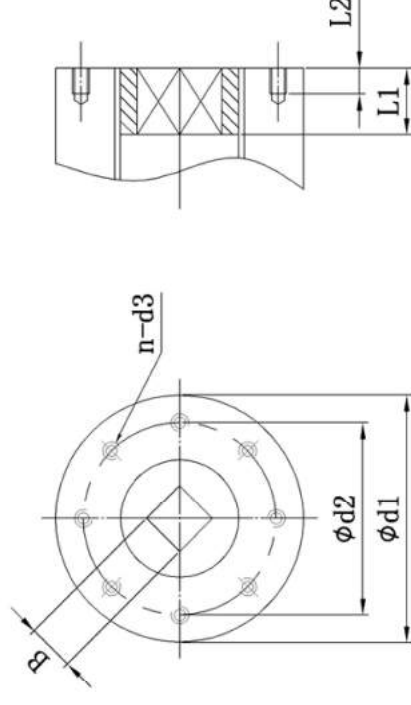
EM-SK20



Model Information

Model	EM-SK	EM-ST	90 Deg. Travel Time sec.	Torque Nm	Weight Kg	Mounting Flange
EM-NK10	EM-SK10	EM-ST10	30	100	14	ISO 5211
EM-NK20	EM-SK20	EM-ST20	30	200	14	F07
EM-NK30	EM-SK30	EM-ST30	35	300	23	F10
EM-NK40	EM-SK40	EM-ST40	35	400	23	F10
EM-NK50	EM-SK50	EM-ST50	40	500	23	F10
EM-NK60	EM-SK60	EM-ST60	40	600	23	F12

*Voltage: 1-phase 220V/ 3-phase 380V/ DC24V;



*Unit: mm:

Model	Flange	d1	d2	B	L1	n-d	L2
EM-K10/T10	F07	90	70	17*17	24	8-M8	15
EM-K20/T20	F07	90	70	17*17	24	8-M10	15
EM-K30/T30	F10	125	102	22*22	40	8-M10	20
EM-K40/T40	F10	125	102	22*22	40	8-M10	20
EM-K50/T50	F10	125	102	22*22	40	8-M10	20
EM-K60/T60	F12	150	125	27*27	40	4-M12	20

Note:

- The actuator is connected to the valve with adjustable gear type adapter sleeve. Minimum adjustment angle is 10 degree.
- The various shaft - double D, round with key way are available. To be specified when ordering.